

HONDEX[®]

10.4" Digital Echo Sounder
HE-7300-Di

Next Evolution of Commercial Fishing

High-Standard Echo Sounder
Optimized Image Presentation for Different Water Depth



Output Power
from **1kW**
up to **5kW**

* 1kW: 50/200kHz only

Frequency
from **28kHz**
up to **200kHz**

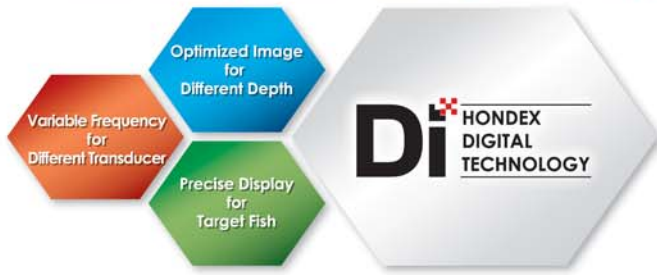
10.4" Digital Echo Sounder

HE-7300-Di

Variable Frequency Model

Di HONDEX
DIGITAL
TECHNOLOGY

"Di" series utilizing HONDEX's latest digital technology.



Introducing new technology of direct digital conversion. The optimized filtering even for weak signal is now available. "Deeper detection for deep water" and "Higher resolution image for shallow water" are in your hands.

"Di" Features

- Dual display for same frequency:** Different gain settings are possible for single frequency image by splitting the image of single frequency to two different screens.
- Whole Display Gain Adjustment:** Gain adjustment reflects to whole the past image (all display presentation).
- Variable Frequency:** Applicable for variety of transducers.

**10.4" Digital Echo Sounder
HE-7300-Di**

Specifications

Display	10.4" Color TFT LCD
Number of Pixel	640 X 480
Operating Voltage	11-35V DC
Power Consumption	24W
Display Style	Portrait, Landscape & Reverse
Weight	Approx. 4kg
Waterproof	IPX4
Output Power	1 to 5kW (Depending on the transducer)
Frequency	Dual frequency from 28, 32, 36, 40, 50, 65, 75, 85, 90, 100, 200kHz To use other freq., please ask your dealer.
Depth Range	5 to 2,000 Meters / Fathoms / Brazas 15 to 6,000 Feet
Max Shift Range	2,000 to 4,000 Meters / Fathoms / Brazas 6,000 to 8,000 Feet
Auto Range / Auto Shift	OFF / Range / Shift
Auto Gain	OFF / Low / High
A-Mode	OFF / ON
Fish Alarm	OFF / Small / Large
Water Temp. Alarm	OFF / In Range / Out Range (Optional water temp. sensor required)
Depth Alarm	OFF / BL / Auto / Manual
Expansion Mode	X2, X4, X8
Expansion Rate	4 Colors
Background Color	7 Patterns
Color Configuration	Meters / Feet / Fathoms / Brazas
Depth Unit	S / M / L
Depth Readout	OFF / ON
Scale Line	OFF / ON
Super Range	OFF / L / M / H
Clean Echo	OFF / 1 / 2
STC	OFF / L / M / H
TX Power	Low / High
NMEA Output	Depth (DBT sentence) Water Temp. (MTW sentence)

In the Box

- HE-7300-Di Main Unit
- Power Supply Cable (DC07)



Optional Accessories

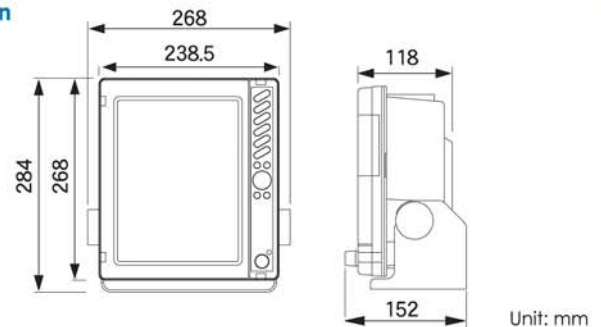
- Thru-hull Water Temp. Sensor : TC02CS (8P-15m) + TCK01
- Transom Water Temp. Sensor : TC03-05 (8P-5m)
- Transom Water Temp. Sensor : TC03-10 (8P-10m)
- Front Cover : CV02



Compatible Transducer

Output Power	Freq. (kHz)	Depth Range Unit:Meters							
		40/75	50	200	50&200	32/40	36/65	28	28/55/100
1kW					TD47(T)				
1.5kW		TD51	TD30	TD33	TD66 TD67(T)				
2kW					TD68				
2.5kW		TD73				TD70			
3kW		TD83	TD113	TD89		TD80	TD81	TD88	TD87
5kW		TD93					TD95	TD98	TD97

Dimension



Specifications are subject to change without notice.

● Dealer



HONDEX® is trade name of
HONDA ELECTRONICS CO.,LTD.

20 Oyamazuka, Oiwacho,
Toyohashi, Aichi, Japan 441-3193

TEL: 81-532-41-2512
FAX:81-532-41-4441

HONDEX English Site
www.honda-el.co.jp/en/marine/

