

# SKIPPER IR 301

Remote depth indicator

Digital repeater

Depth

NMEA signals

Alarms

Trans. position



**The SKIPPER IR 301 is a remote depth indicator for NMEA 0183 signals.**

**It gives accurate digital depth indication based on signals from the SKIPPER ED 165, GDS 101 or GDS 102 Echo Sounder.**

**SKIPPER IR 301 can also be used with Echo Sounders from other manufacturers, when these have an NMEA 0183 output.**

**Features:**

**Depth indication**

**Alarms - Depth alarm**

**Shows position of transducer in use**

**Bracket or panel mounting**

SKIPPER Electronics manufacture marine electronics for the merchant fleet as well as the fishing fleet, based on experience, research and tradition. Our products are known worldwide for reliability, sophistication and good value for money.

On the SKIPPER IR 301 the operator may select between two transducers. Brightness is adjusted on the front panel, or from a remote dimmer control.

# SKIPPER

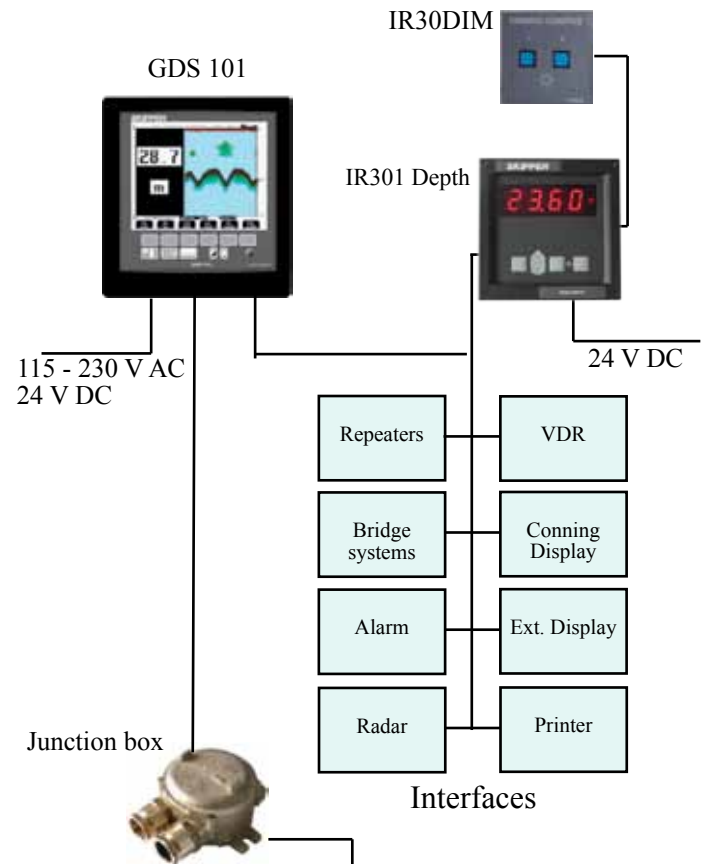
# IR301

## Remote depth indicator

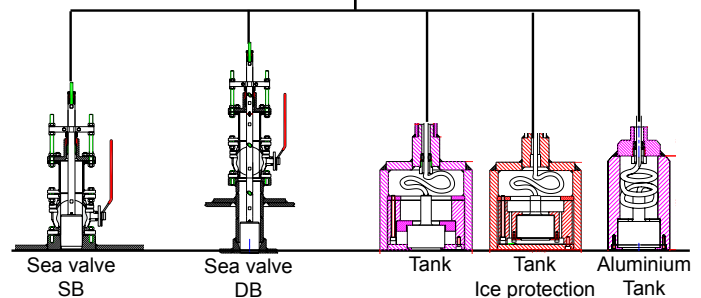
### Specifications

<b>Power supply</b>	DC: 10 - 32 V
<b>Power consumption</b>	3 W
<b>Display</b>	7 segment. 20 x 11 mm digital readout
<b>Mounting dimensions</b>	124 x 124 mm. Bracket or panel mounting
<b>Front plate</b>	144 x 144 mm to DIN standard
<b>Depth</b>	59 mm
<b>Weight cabinet</b>	1 kgs
<b>Measuring accuracy</b>	Better than 2 %
<b>Outputs</b>	1 x NMEA 0183
<b>Inputs</b>	NMEA 0183
	Remote dimmer input
<b>Classification</b>	Made acc. to IMO performance standard. IP 56
<b>Service</b>	Available in most major harbours, world-wide through extensive dealer network

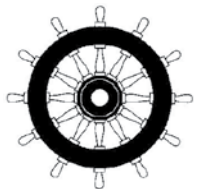
### Overview



Transducer mounting options:



# SKIPPER



SKIPPER Electronics AS

Enebakkveien 150

P.O.Box 151, Manglerud

0612 Oslo, Norway

E-mail: [sales@skipper.no](mailto:sales@skipper.no)

Telephone: +47 23 30 22 70

Telefax: +47 23 30 22 71

Co.reg.no: NO-965378847 - MVA

[www.skipper.no](http://www.skipper.no)

Date: February 2012

Version: 01022012